

## Installation Guide

### Strobes N' More E92 LED Hide-a-Way

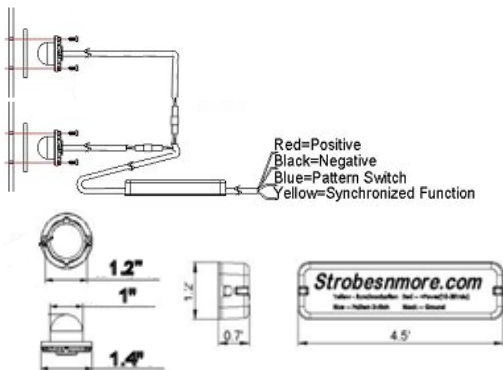


**Safety First!** Before beginning the installation and/or operation of your LEDs, the installation technician and operator must read this manual in full, *before* installation. This document provides all the necessary information to allow your LED to be properly and safely installed to prevent severe injury or damage.

Proper installation of this product requires the installer to have a good understanding of automotive electronics, systems and procedures. Do not stare directly into these lights. Momentary blindness and/or eye damage could result. Do not install this product or route any wires in the deployment area of your air bag. Equipment mounted or located in the air bag deployment area will damage or reduce the effectiveness of the air bag, or become a projectile that could cause serious personal injury or death. Refer to your vehicle owner manual for the air bag deployment area. The User/Installer assumes full responsibility to determine proper mounting location, based on providing ultimate safety to all passengers inside the vehicle. If this product uses a remote device to activate or control this product, make sure that this control is in an area that allows both the vehicle and the control to be operated safely in any driving condition. Do not attempt to control this in a hazardous situation.

If mounting this product requires drilling holes, the installer must be sure that no vehicle components or other vital parts could be damaged by the drilling process. Check both sides of the mounting surface before drilling begins. Also, de-burr any holes and remove any metal shards or remnants. Install grommets into all wire passage holes. For this product to operate at optimum efficiency, a good electrical connection to chassis ground must be made. The recommended procedure requires the product ground wire to be connected directly to the NEGATIVE (-) battery post or vehicle chassis. Do not attach the NEGATIVE (-) wire to any other existing ground wire. It is recommended that these instructions be stored in a safe place and referred to when performing Maintenance and/or reinstallation of this product. FAILURE TO FOLLOW THESE SAFETY PRECAUTIONS AND INSTRUCTIONS COULD RESULT IN DAMAGE TO THE PRODUCT OR VEHICLE AND/OR SEVERE INJURY TO YOU AND YOUR PASSENGERS!

*NEVER apply any voltage to the LED's directly. Failure to power the LEDs with the supplied factory installed flasher automatically voids the warranty.*



**Power Requirements** EHAW92 Kit LEDs are designed to run on 12-24 Volts DC only and must be fused appropriately at 4 amps per kit installed. Failure to properly fuse the LED can result in permanent damage not covered under warranty.

*Proper installation of flange requires the unit be tested before cutting the wire to install the flange. Failure to properly test the unit as per the install guide included with the LED automatically voids the warranty.*

**Flash Patterns** Your EHAW92 kit is programed with 37 Flash Patterns including Steady Burn, Off, and a Random Flash Pattern. All Patterns have a Phase 1 and Phase 2. When set to the same Phase they will flash at the same time. When one set is set to Phase 1 and the other to Phase 2 they will alternate with each other. This only plays a role when you are installing 2 kits as the single kit will allow you to do this by choosing the Flash Pattern you like best.

<b>FLASH PATTERN SELECTION:</b> By touching Blue wire to Negative volts ground you'll get the following	
0 – 1 Sec	Next Flash Pattern
1 – 3 Secs	Previous Flash Pattern
3 – 5 Secs	Factory Default Patter P1
Over 5 Secs	Unit will turn off. Retouch to reactivate.
<b>WIRING</b>	
Red	Positive 12 volts (on/off switch)
Black	Negative -12 Volts Ground
Blue	Flash Pattern Selection
Yellow	Synchronization Wire
White	Steady Burn Override – Optional Function

**Optional Function Wire** The White wire will allow you to run the LEDs with an optional external flasher or Steady Burn Override. When activated the lights will go from Flashing to Steady Burn. Utilize when using an external Flasher when the lights are auxiliary Brake or Turn Signal Lights. **Please note at no time should any aftermarket lights be used to replace your factory installed Brake/Tail/Turn lights.**

**WARRANTY** Provided this product is installed and operated in a manner consistent with its use, Strobes N' More guarantees the Hide-a-way for a period of 2 years from the day of purchase. Units demonstrated to be defective within the warranty period will be repaired or replaced at the seller's discretion. The end user is responsible for shipping / returning the item to Strobes N' More and we will cover the cost of return shipping. International customers are responsible for all shipping charges. Improper installation or use of inappropriate or inadequate wiring or circuit protection causes the warranty to be void. Applying voltage directly to the LED's will cause immediate failure and void the warranty. Damages resulting from improper use and/or accidents are not covered by this warranty. Aluminum will corrode if left in the elements or area of high road salt use. Proper cleaning of the light is essential to keeping the unit in like new condition. Magnets are used to hold the light in place Use of non-compatible components and assemblies may cause damage to the system and/or personal injury, and voids all warranties. Strobes N' More LLC shall in no way be liable for other damages including consequential, indirect or special damages whether loss is due to negligence or breach of warranty. Visit [www.StrobesNMore.com/warranty](http://www.StrobesNMore.com/warranty) for more information.