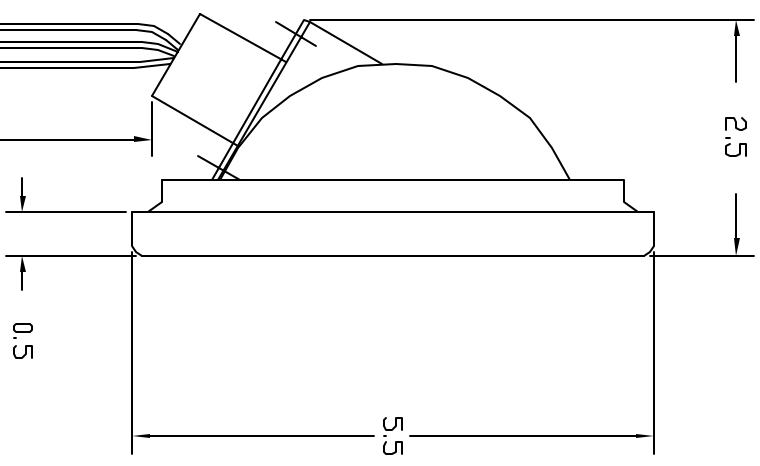
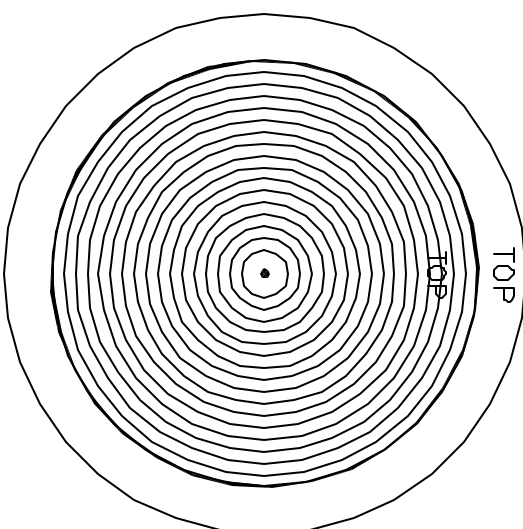
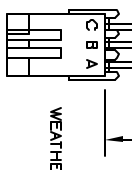


REV.	ECR	DESCRIPTION	DATE
-	186	INITIAL DRAWING REQUEST	03/28/95
A	3995	MODEL # UPDATE	03/13/01
B	8579	ADDED NEW DRAWING FORMAT	09/02/09



6.50 MIN

WEATHER PROOF CONNECTOR



- A - RED WIRE
- B - BLACK WIRE
- C - WHITE WIRE



NOTE:

1) INSTRUCTION SHEET:
P/N PLTSTR87

2) PACKING:

UNIT BOX: P/N PCARTZ00ZUN
 10 x 12 POLY BAG: P/N P30D24-14
 BOX LABEL: P/N PLABSTR (FILL-IN)
 FILL-IN: MODEL #: COLOR: QUANTITY

UNLESS OTHERWISE SPECIFIED: DIMENSIONS ARE IN INCHES Diml Tolerances: ± 0.003		DRAWN BY: DPL	
DRAWING APPROVED BY ECR		THE INFORMATION CONTAINED IN THIS DRAWING IS THE SOLE PROPERTY OF STAR HEADLIGHT & LANTERN CO., INC. ANY REPRODUCTION IN PART OR AS A WHOLE WITHOUT THE WRITTEN PERMISSION OF STAR HEADLIGHT & LANTERN CO., INC. IS STRICTLY PROHIBITED.	
ROHS COMPLIANT: NA		MODEL: 3904	
MATERIAL: NA		TITLE: MODEL DRAWING	
FINISH: NA		DWG. NO. SH3904	
SCALE: 1:1		DO NOT SCALE FROM DRAWING	
SHEET 1 OF 1		REV B	

STAR HEADLIGHT & LANTERN CO., INC.

455 ROCHESTER ST. AVON NY 14414
 Ph: (585)226-9500 Fax: (585) 226-2029

4' ROUND REMOTE STROBE HEAD