

Installation Guide

Strobes N' More D6, D12 and D12 Duo



Safety First! Before beginning the installation and/or operation of your LEDs, the installation technician and operator must read this manual in full, *before* installation. This document provides all the necessary information to allow your light to be properly and safely installed to prevent severe injury or damage.

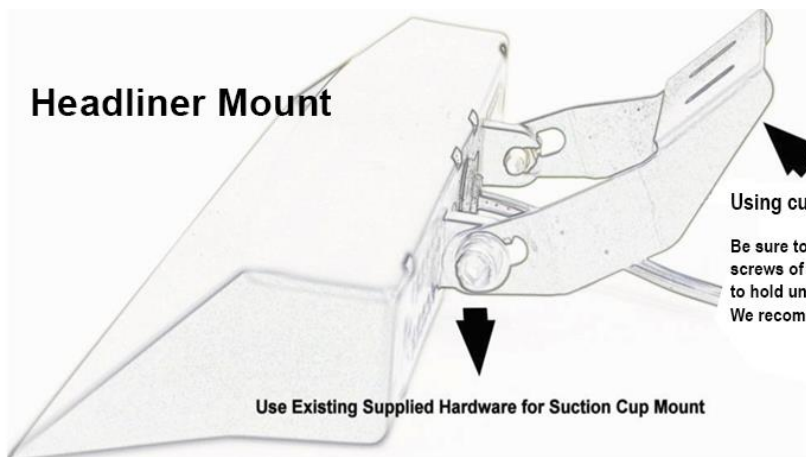
Proper installation of this product requires the installer to have a good understanding of automotive electronics, systems and procedures. Do not stare directly into these lights. Momentary blindness and/or eye damage could result. Do not install this product or route any wires in the deployment area of your air bag. Equipment mounted or located in the air bag deployment area will damage or reduce the effectiveness of the air bag, or become a projectile that could cause serious personal injury or death. Refer to your vehicle owner manual for the air bag deployment area. The User/Installer assumes full responsibility to determine proper mounting location, based on providing ultimate safety to all passengers inside the vehicle. If this product uses a remote device to activate or control this product, make sure that this control is in an area that allows both the vehicle and the control to be operated safely in any driving condition. Do not attempt to activate or control this device in a hazardous driving situation.

If mounting this product requires drilling holes, the installer must be sure that no vehicle components or other vital parts could be damaged by the drilling process. Check both sides of the mounting surface before drilling begins. Also, de-burr any holes and remove any metal shards or remnants. Install grommets into all wire passage holes. For this product to operate at optimum efficiency, a good electrical connection to chassis ground must be made. The recommended procedure requires the product ground wire to be connected directly to the NEGATIVE (-) battery post or vehicle chassis. Do not attach the NEGATIVE (-) wire to any other existing ground wire. It is recommended that these instructions be stored in a safe place and referred to when performing Maintenance and/or reinstallation of this product. FAILURE TO FOLLOW THESE SAFETY PRECAUTIONS AND INSTRUCTIONS COULD RESULT IN DAMAGE TO THE PRODUCT OR VEHICLE AND/OR SEVERE INJURY TO YOU AND YOUR PASSENGERS!



Attach suction cup mount as shown, being careful not to overtighten the screws. Damage can occur and void the warranty. Push base of suction cup into the larger opening and slide into smaller opening, locking the suction cup into place.

Headliner Mount



Using customer supplied screws, attach to Headliner

Be sure to check behind headliner and use screws of the appropriate length and diameter to hold unit securely and not damage headliner. We recommend #8 Sheet Metal Screws.

Use Existing Supplied Hardware for Suction Cup Mount

WIRING

RED	Positive +12 volts (Activation Wire, 5 AMPS)
BLACK	Negative -12 Volts Ground
BLUE	Flash Pattern Selection – Momentarily apply +12 Volts to change pattern
YELLOW	Synchronization
DUO+	Same as above and including:
WHITE	Color 1
PURPLE	Color 2

Troubleshooting

Always check to be sure a minimum of +12 Volts is applied to the RED wire and that the BLACK wire is properly grounded. Mounting of this product requires drilling holes and therefore the installer **MUST** ensure that no vehicle components are damaged during the install process. We recommend checking both sides of the surface before drilling. Be sure not to install this product where it could interfere with the proper operation of the airbags or any other safety devices. Failure to follow these safety precautions could result in damage or injury to you or your passengers.

WARRANTY Provided this product is installed and operated in a manner consistent with its use, Strobes N' More guarantees the E-Series Dash Lights for a period of 5 years from the day of purchase. Units demonstrated to be defective within the warranty period will be repaired or replaced at the seller's discretion. The end user is responsible for shipping / returning the item to Strobes N' More and we will cover the cost of return shipping. International customers are responsible for all shipping charges. Improper installation or use of inappropriate or inadequate wiring or circuit protection causes the warranty to be void. Applying voltage directly to the LED's will cause immediate failure and void the warranty. Damages resulting from improper use and/or accidents are not covered by this warranty. Aluminum will corrode if left in the elements or area of high road salt use. Proper cleaning of the light is essential to keeping the unit in like new condition. Magnets are used to hold the light in place Use of non-compatible components and assemblies may cause damage to the system and/or personal injury, and voids all warranties. Strobes N' More LLC shall in no way be liable for other damages including consequential, indirect or special damages whether loss is due to negligence or breach of warranty. Visit www.StrobesNMore.com/warranty for more information.