

Installation Guide

Strobes N' More Tiger Series LED's



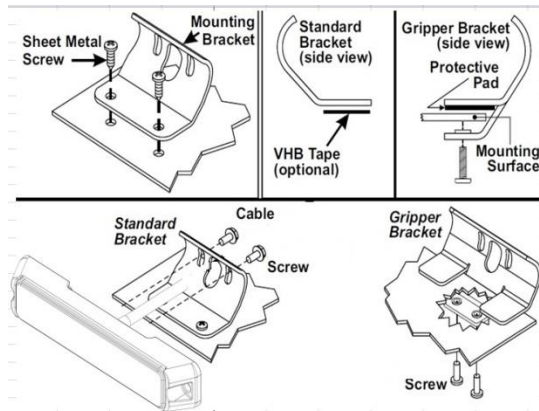
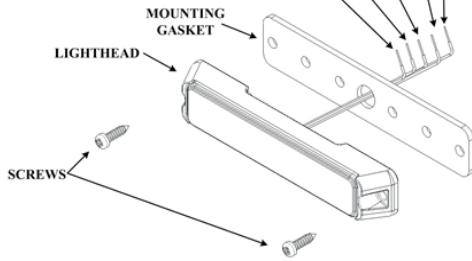
Safety First! Before beginning the installation and/or operation of your LEDs, the installation technician and operator must read this manual in full, *before* installation. This document provides all the necessary information to allow your light to be properly and safely installed to prevent serious injury or damage.

Proper installation of this product requires the installer to have a good understanding of automotive electronics, systems and procedures. Do not stare directly into these lights. Momentary blindness and/or eye damage could result. Do not install this product or route any wires in the deployment area of your air bag. Equipment mounted or located in the air bag deployment area will damage or reduce the effectiveness of the air bag, or become a projectile that could cause serious personal injury or death. Refer to your vehicle owner manual for the air bag deployment area. The User/Installer assumes full responsibility to determine proper mounting location, based on providing ultimate safety to all passengers inside the vehicle. If this product uses a remote device to activate or control this product, make sure that this control is in an area that allows both the vehicle and the control to be operated safely in any driving condition. Do not attempt to activate or control this device in a hazardous driving situation.

If mounting this product requires drilling holes, the installer must be sure that no vehicle components or other vital parts could be damaged by the drilling process. Check both sides of the mounting surface before drilling begins. Also, de-burr any holes and remove any metal shards or remnants. Install grommets into all wire passage holes. For this product to operate at optimum efficiency, a good electrical connection to chassis ground must be made. The recommended procedure requires the product ground wire to be connected directly to the NEGATIVE (-) battery post or vehicle chassis. Do not attach the NEGATIVE (-) wire to any other existing ground wire. It is recommended that these instructions be stored in a safe place and referred to when performing Maintenance and/or reinstallation of this product. **FAILURE TO FOLLOW THESE SAFETY PRECAUTIONS AND INSTRUCTIONS COULD RESULT IN DAMAGE TO THE PRODUCT OR VEHICLE AND/OR SERIOUS INJURY TO YOU AND YOUR PASSENGERS!**

Mounting:

Stop mode ----- WHITE
 Connect YELLOW wire of all together for synchronization ----- YELLOW
 Flash Pattern Select ----- BLUE
 To Chassis Ground ----- BLACK
 To +10-30Vdc (fuse @2A) ----- RED



WIRING

| | |
|--------------|--|
| RED | Positive 12 volts (Flood LED's ON/OFF switch) |
| BLACK | Negative -12 Volts Ground |
| BLUE | Flash Pattern Selection |
| GREEN | Synchronization Wire (8 lights max, patterns P1-P24) |
| WHITE | Steady Burn Override |

Operation Environment

Voltage: 12-24 Volts DC

Ambient Temperature: -20 to 60°C

Relative Humidity: 10 to 85%, non-condensing

Troubleshooting

Always check to be sure a minimum of +12 Volts is applied to the red wire and that the Black wire is properly grounded. Press the pattern selection switch to be sure the "off" pattern was not inadvertently selected. The light will activate and start to flash if this is the case.

FLASH PATTERN SELECTION By touching Blue wire to NEGATIVE (-) volts ground you will get the following:

| | |
|----------------|--|
| 0 – 1 Second | Next Flash Pattern |
| 1 – 3 Seconds | Previous Flash Pattern |
| 3 – 5 Seconds | Factory Default Patter P1 |
| Over 5 seconds | Unit will turn off. Retouch to reactivate. |

FLASH PATTERNS

| | |
|---------------------|------------------------------|
| P1-Single 75 Ph1 | P16-Quad 150 Ph1 |
| P2-Single 75 Ph2 | P17-Quad 150 Ph2 |
| P3-Single 75 Alt. | P18-Quad 150 Alt. |
| P4-Single 120 Ph1 | P19-Triple 75 Ph1 |
| P5-Single 120 Ph2 | P20-Triple 75 Ph2 |
| P6-Single 120 Alt. | P21-Triple 75 Alt. |
| P7-Double 75 Ph1 | P22-Quint 150 Ph1 |
| P8-Double 75 Ph2 | P23-Quint 150 Ph2 |
| P9-Double 75 Alt. | P24-Quint 150 Alt. |
| P10-Double 120 Ph1 | P25-Steady – Single |
| P11-Double 120 Ph2 | P26-Steady Burn |
| P12-Double 120 Alt. | P27-Modulation |
| P13-Quad 75 Ph1 | P28-2 Double, 2 Triple Alter |
| P14-Quad 75 Ph2 | P29-4 Single, 2 Quad |
| P15-Quad 75 Alt. | P30-OFF |

WARRANTY Provided this product is installed and operated in a manner consistent with its use, Strobes N' More guarantees the Tiger Series LED's for a period of 5 years from the day of purchase. Units demonstrated to be defective within the warranty period will be repaired or replaced at the seller's discretion. The end user is responsible for shipping / returning the item to Strobes N' More and we will cover the cost of return shipping. International customers are responsible for all shipping charges. Improper installation or use of inappropriate or inadequate wiring or circuit protection causes the warranty to be void. Applying voltage directly to the LED's will cause immediate failure and void the warranty. Damages resulting from improper use and/or accidents are not covered by this warranty. Aluminum will corrode if left in the elements or area of high road salt use. Proper cleaning of the light is essential to keeping the unit in like new condition. Magnets are used to hold the light in place Use of non-compatible components and assemblies may cause damage to the system and/or personal injury, and voids all warranties. Strobes N' More LLC shall in no way be liable for other damages including consequential, indirect or special damages whether loss is due to negligence or breach of warranty. Visit www.StrobesNMore.com/warranty for more information.