

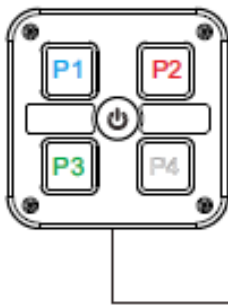
TOUCH4 Installation Guide



Safety First! Before beginning the installation, the installation technician and operator must read this manual in full, *before* installation. This document provides all the necessary information to allow your product to be properly and safely installed to prevent severe injury or damage.

Proper installation of this product requires the installer to have a good understanding of automotive electronics, systems and procedures. Do not stare directly into these lights. Momentary blindness and/or eye damage could result. Do not install this product or route any wires in the deployment area of your air bag. Equipment mounted or located in the air bag deployment area will damage or reduce the effectiveness of the air bag or become a projectile that could cause serious personal injury or death. Refer to your vehicle owner manual for the air bag deployment area. The User/Installer assumes full responsibility to determine proper mounting location, based on providing ultimate safety to all passengers inside the vehicle. If this product uses a remote device to activate or control this product, make sure that this control is in an area that allows both the vehicle and the control to be operated safely in any driving condition. Do not attempt to activate or control this device in a hazardous driving situation.

If mounting this product requires drilling holes, the installer must be sure that no vehicle components or other vital parts could be damaged by the drilling process. Check both sides of the mounting surface before drilling begins. Also, de-burr any holes and remove any metal shards or remnants. Install grommets into all wire passage holes. For this product to operate at optimum efficiency, a good electrical connection to chassis ground must be made. The recommended procedure requires the product ground wire to be connected directly to the NEGATIVE (-) battery post or vehicle chassis. Do not attach the NEGATIVE (-) wire to any other existing ground wire. It is recommended that these instructions be stored in a safe place and referred to when performing Maintenance and/or reinstallation of this product. **FAILURE TO FOLLOW INSTRUCTIONS COULD RESULT IN DAMAGE TO THE PRODUCT OR VEHICLE AND/OR SEVERE INJURY TO YOU AND YOUR PASSENGERS!**

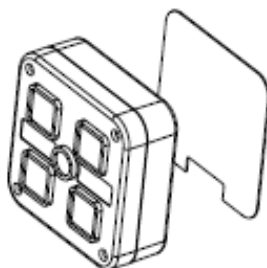


- 16# AWG RED — INPUT 10-30VDC+ 16A FUSE
- 16# AWG Black — INPUT GROUND
- 20# AWG Blue — P1 OUTPUT 4A MAX
- 20# AWG Red — P2 OUTPUT 4A MAX
- 20# AWG Green — P3 OUTPUT 4A MAX
- 20# AWG White — P4 OUTPUT 4A MAX

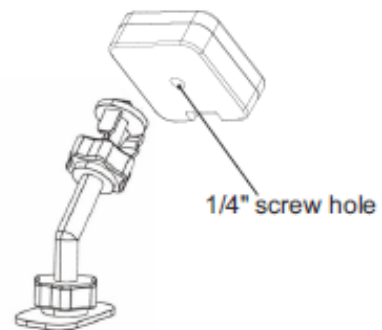
WIRING

PROGRAMMING You can program any button to do on/off function or Momentary function. To program simply hold down the button you wish to program. While hold it down press and hold the main on/off button (round button). You will then here the switch click 2 times at which point you can release all buttons.

STICKER MOUNT



BRACKET(3M OR SUCTION CUP) MOUNT



INSTALLATION